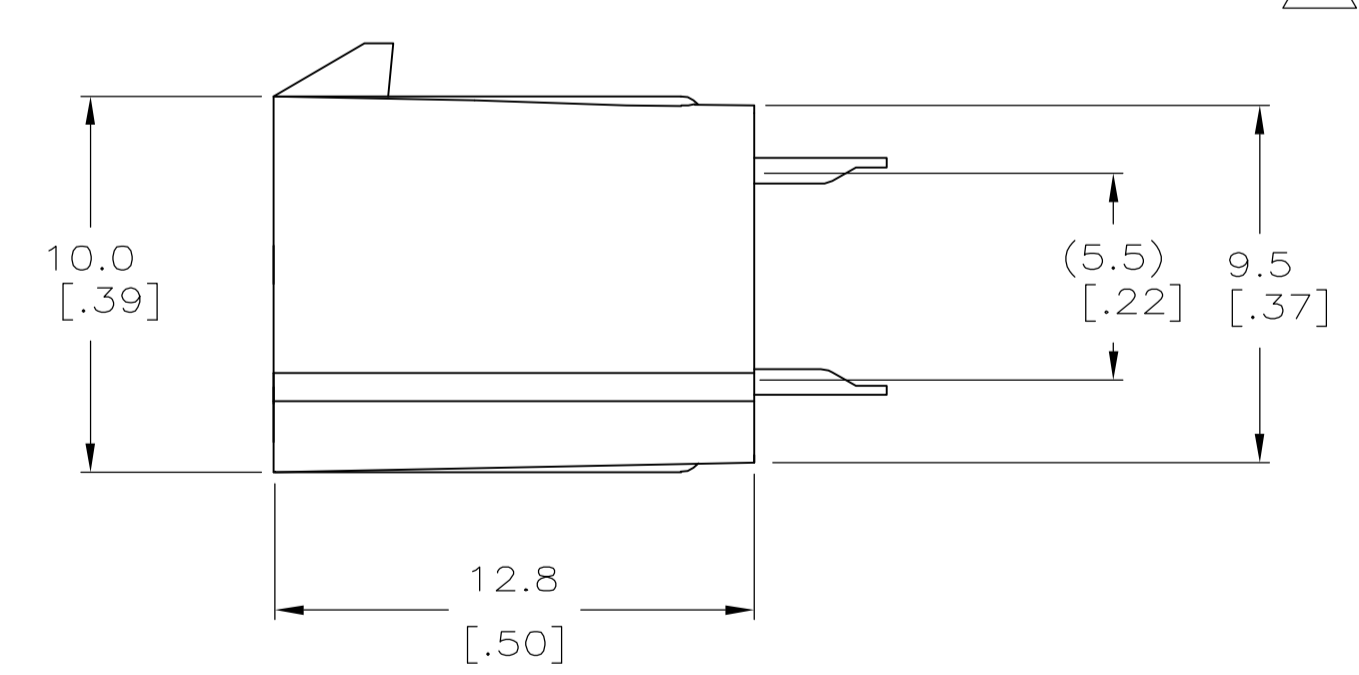
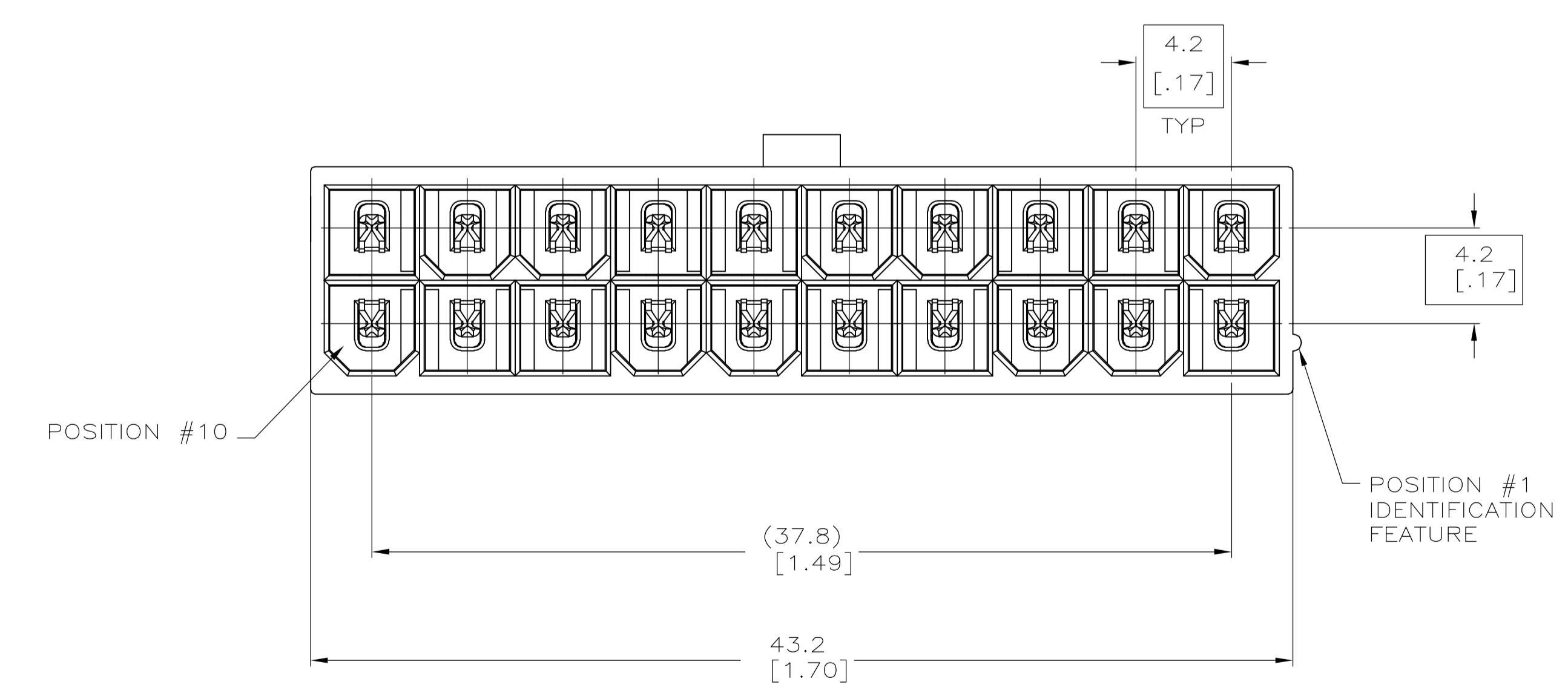


RECOMMENDED MOUNTING HOLE PATTERN FOR 1.78 [0.070] MAX THICK P.C. BOARD COMPONENT SIDE SHOWN

- ① MATERIAL: HOUSING - NYLON, UL94V-0, COLOR - BLACK, (COLOR OF PARTS MAY VARY). CONTACT PIN - 0.25 [.010] THICK COPPER ALLOY.
- ② CONTACT FINISH: 0.0030 [.000012] MINIMUM THICK TIN-LEAD OVER 0.00127 [.000050] MINIMUM THICK NICKEL OVER ENTIRE CONTACT.
- ③ CONTACT FINISH: 0.00076 [.000030] MINIMUM THICK GOLD PLATE ON PIN MATING SURFACE, 0.0030 [.00012] MINIMUM THICK TIN-LEAD PLATE ON SOLDER TAIL, ALL OVER 0.00127 [.000050] MINIMUM THICK NICKEL BASE PLATE.
- 4. SOLDER TAIL MEETS AMP SOLDERABILITY SPECIFICATION 109-11-2.
- 5. MATES WITH SIMILAR PLATED AMP-DUAC™ POWER CONNECTOR RECEPTACLE HOUSING/SOCKET CONTACTS.
- ⑥ CONTACT FINISH: 0.0030 [.00012] MINIMUM THICK TIN OVER 0.00127 [.000050] MINIMUM THICK NICKEL OVER ENTIRE CONTACT.
- ⑦ CONTACT FINISH: 0.00076 [.000030] MINIMUM THICK GOLD PLATE ON PIN MATING SURFACE, 0.0030 [.00012] MINIMUM THICK TIN PLATE ON SOLDER TAIL, ALL OVER 0.00127 [.000050] MINIMUM THICK NICKEL BASE PLATE.



SUPERSEDED BY 1-794415-2
 SUPERSEDED BY 1-794415-1

①	⑦	①	①	1-794415-2
①	⑥	①	①	1-794415-1
①	③	①	①	794415-2
①	②	①	①	794415-1
MATERIAL		FINISH		ASSEMBLY
PIN		HOUSING		

METRIC

THIS DRAWING IS A CONTROLLED DOCUMENT.

DIMENSIONS: mm [INCHES]	TOLERANCES UNLESS OTHERWISE SPECIFIED:	DWN S. HOOVER 02-MAR-2005	Tyco Electronics Corporation Harrisburg, Pa 17105-3608
0 PLC ± .2 [0.1]	1 PLC ± .13 [.005]	CHK D. COLEY 02-MAR-2005	
MATERIAL SEE CHART	FINISH SEE CHART	APVD D. COLEY 02-MAR-2005	NAME
		PRODUCT SPEC 108-1699	ASSEMBLY, VERTICAL HEADER, HIGH TEMP 20 POSITIONS
		APPLICATION SPEC	AMP-DUAC(TM) POWER CONNECTOR
		SIZE A1	CAGE CODE DRAWING NO 00779
		WEIGHT	RESTRICTED TO
		CUSTOMER DRAWING	SCALE 1:1 SHEET 1 OF 1 REV J